

Securing your world...easily



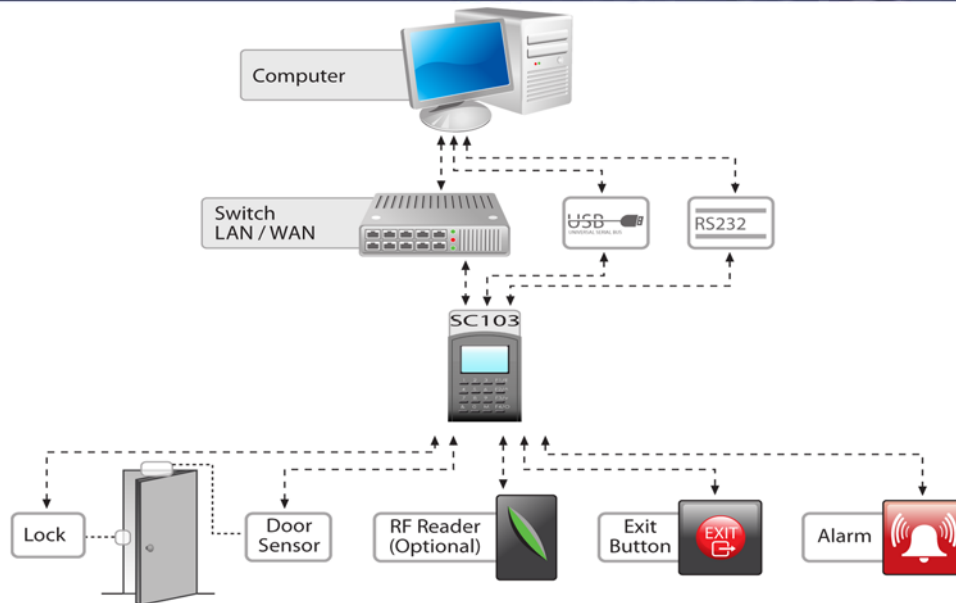
TT 545 RFID Access Control Terminal



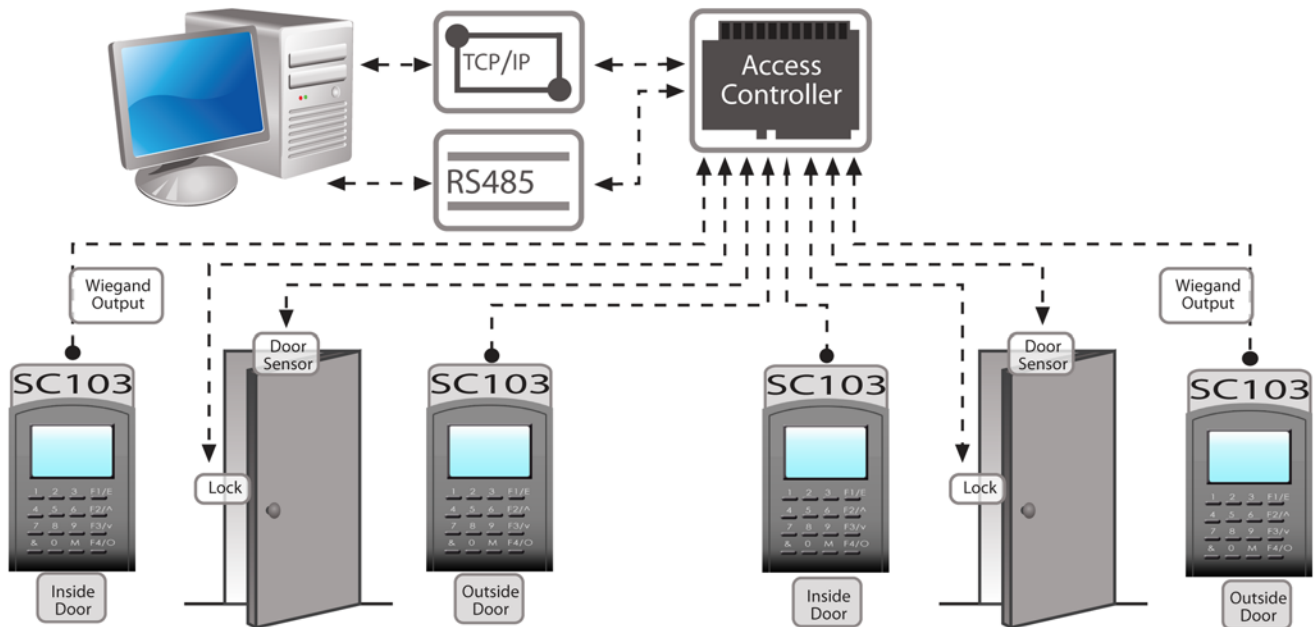
Features:

- Rugged casing design
- Easy Installation
- Simple and Convenient operation
- RFID card Standard
- Full Door lock system
- Wiegand out
- Audio Prompt feedback
- LED Indicator for Access or Denied
- LCD Screen
- USB Communication

Standalone Configuration:



3rd Party Controller Configuration:



Specifications:

ID Card Capacity :	30 000
Transaction Logs :	50 000
Communication :	TCP/IP, RS232/485, USB-Host
Wiegand :	Input / Output
Display :	LCD / LED
Power :	12V DC
Temperature :	0°C - 45°C
Dimensions :	129.5X95X48.5mm